

| Specifications                       |  |
|--------------------------------------|--|
| <b>Model No.</b>                     | X9G12S   |
| <b>Hood Mounting</b>                 | Ceiling Cassette   |
| <b>Dimensions</b>                    | <b>Hood Width</b> 1200mm   |
|                                      | <b>Hood Depth</b> 400mm  |
|                                      | <b>Hood Height</b> 91.2mm  |
| <b>Cooking Surface Coverage (cm)</b> | 90-120cm   |
| <b>Min Install Height</b>            | 1000mm   |
| <b>Recommended Install Height</b>    | 1500mm   |
| <b>Induction Suitable</b>            | ●  |
| <b>Char Grill Suitable</b>           | -  |
| <b>Finish</b>                        | <b>AISI304 1.2mm Food Grade</b> ●  |
|                                      | <b>Proud Mount Cradle</b> -  |
| <b>Filtration</b>                    | <b>Type: S-Flow Baffle</b> ●   |
|                                      | <b>Filter Quantity</b> 3   |
| <b>Electronics</b>                   | <b>MasterMind</b> ●  |
|                                      | <b>Controls</b> 4-Button Backlit LED MasterMind Electronic Control         |
|                                      | <b>Wireless Remote</b> ●   |
|                                      | <b>Speed Settings</b> 3 Speed + Boost Mode                                 |
|                                      | <b>Timer Function</b> Programmable Timer 10min Increments                  |
|                                      | <b>Auto Fan Shut Off</b> Auto Off After 2-Hours Of Inactivity              |
| <b>Lighting</b>                      | <b>Type: LED - Warm White</b> -  |
|                                      | <b>Type: LED - Cool White</b> -  |
|                                      | <b>Lamp Quantity</b> 0   |
|                                      | <b>Front Panel</b> -   |
|                                      | <b>Rear Panel</b> -  |
| <b>Exhaust</b>                       | <b>Outlet Position - Top</b> ●   |
|                                      | <b>Outlet Position - Rear</b> -  |
|                                      | <b>Outlet Quantity</b> 1   |
|                                      | <b>Ducting (Remote Motor)</b> Zilikon Duct - Dia. 200mm 5M Length Supplied |
|                                      | <b>Ducting (Onboard Motor)</b> Not Supplied - Duct Kits Available          |

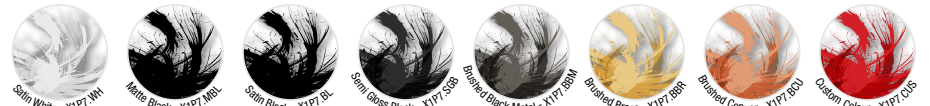


Filtration Zone.

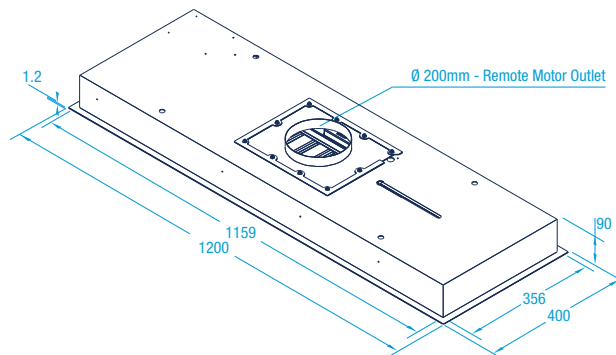
|                                      |  |
|--------------------------------------|--|
| SELECT YOUR HOOD & MOTOR COMBINATION | X9G12S5  |
| <b>External</b>                      | <b>Pro Plus 2010</b> <b>2010m<sup>3</sup>/hr</b> <b>.EPP</b> |

● Standard Inclusion ○ Optional - Not Available

**Your Hood. Your Colour. Your Way.** Select your hood finish.



### Dimensioned Drawing



**5 YEAR WARRANTY**  
COMPRESSOR PARTS & LABOUR



**10 YEAR WARRANTY**  
REFURBISHED REMOTE MOTOR



**LIFETIME**  
REPLACEMENT PARTS WARRANTY



PROUDLY AUSTRALIAN OWNED  
DESIGNED & BUILT IN MELBOURNE



PREMIUM GERMAN MADE  
MOTOR SYSTEMS

# whispair