

| Specifications  |  |
|---|--|
| <b>Model No.</b>  | X9G09S   |
| <b>Hood Mounting</b>  | Ceiling Cassette   |
| <b>Dimensions</b>   | <b>Hood Width</b> 900mm  |
|   | <b>Hood Depth</b> 400mm  |
|   | <b>Hood Height</b> 91.2mm  |
| <b>Cooking Surface Coverage (cm)</b>                              | 60-90cm  |
| <b>Min Install Height</b>   | 1000mm   |
| <b>Recommended Install Height</b>                                 | 1500mm   |
| <b>Induction Suitable</b>   | ●  |
| <b>Char Grill Suitable</b>  | -  |
| <b>Finish</b>   | <b>AISI304 1.2mm Food Grade</b> ●  |
|   | <b>Proud Mount Cradle</b> ○  |
| <b>Filtration</b>   | <b>Type: S-Flow Baffle</b> ●   |
|   | <b>Filter Quantity</b> 2   |
| <b>Electronics</b>  | <b>MasterMind</b> ●  |
|   | <b>Controls</b> 4-Button Backlit LED MasterMind Electronic Control         |
|   | <b>Wireless Remote</b> ●   |
|   | <b>Speed Settings</b> 3 Speed + Boost Mode                                 |
|   | <b>Timer Function</b> Programmable Timer 10min Increments                  |
| <b>Auto Fan Shut Off</b> Auto Off After 2-Hours Of Inactivity     |  |
| <b>Lighting</b>   | <b>Type: LED - Warm White</b> -  |
|   | <b>Type: LED - Cool White</b> -  |
|   | <b>Lamp Quantity</b> 0   |
|   | <b>Front Panel</b> -   |
|   | <b>Rear Panel</b> -  |
| <b>Exhaust</b>  | <b>Outlet Position - Top</b> ●   |
|   | <b>Outlet Position - Rear</b> -  |
|   | <b>Outlet Quantity</b> 1   |
|   | <b>Ducting (Remote Motor)</b> Zilikon Duct - Dia. 200mm 5M Length Supplied |
| <b>Ducting (Onboard Motor)</b> Not Supplied - Duct Kits Available |  |

|                                      |  |
|--------------------------------------|--|
| SELECT YOUR HOOD & MOTOR COMBINATION | X9G09S5  |
| <b>External</b>                      | <b>Pro Plus 2010</b> <b>2010m<sup>3</sup>/hr</b> <b>.EPP</b> |

● Standard Inclusion ○ Optional - Not Available

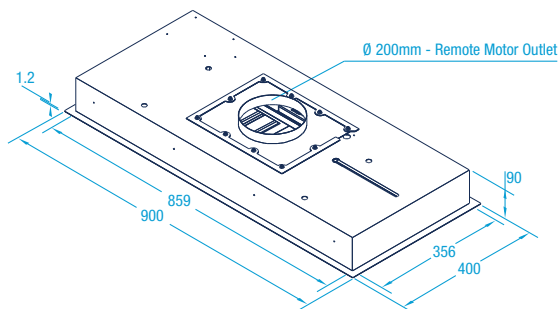


Filtration Zone.

**Your Hood. Your Colour. Your Way.** Select your hood finish.



### Dimensioned Drawing



**5 YEAR WARRANTY**  
COMPRESSOR FREE LABOUR



**10 YEAR WARRANTY**  
REPLACEMENT PARTS AND MOTOR



**LIFETIME**  
REPLACEMENT PARTS WARRANTY



PROUDLY AUSTRALIAN OWNED  
DESIGNED & BUILT IN MELBOURNE



PREMIUM GERMAN MADE  
MOTOR SYSTEMS