

BOSTON 120 CASSETTE, X9B12S.

Specifications	
Model No.	X9B12S
Hood Mounting	Ceiling Cassette
Dimensions	Hood Width 1200mm
	Hood Depth 680mm
	Hood Height (Fascia) 152mm
Cooking Surface Coverage (cm)	75-120cm
Min Install Height	1200mm
Recommended Install Height	1500mm (Max)
Induction Suitable	●
Char Grill Suitable	●
Finish	ANSI316 1.2mm Marine Grade ●
	Proud Mount Cradle ○
Filtration	Type: S-Flow Baffle ●
	Filter Quantity 4
Electronics	MasterMind ●
	Controls 4-Button Backlit LED MasterMind Electronic Control
	Wireless Remote ●
	Speed Settings 3 Speed + Boost Mode
	Timer Function Programmable Timer 10min Increments
Auto Fan Shut Off Auto Off After 2-Hours Of Inactivity	
Lighting	Type: LED - Warm White ●
	Type: LED - Cool White ○
	Lamp Quantity 6
	Front Panel ●
Rear Panel ●	
Exhaust	Outlet Position - Top ●
	Outlet Position - Rear -
	Outlet Quantity 1 / 2
	Ducting (Remote Motor) Zilikon Duct - Dia. 200mm 5M Length Supplied
	Ducting (Onboard Motor) Not Supplied - Duct Kits Available

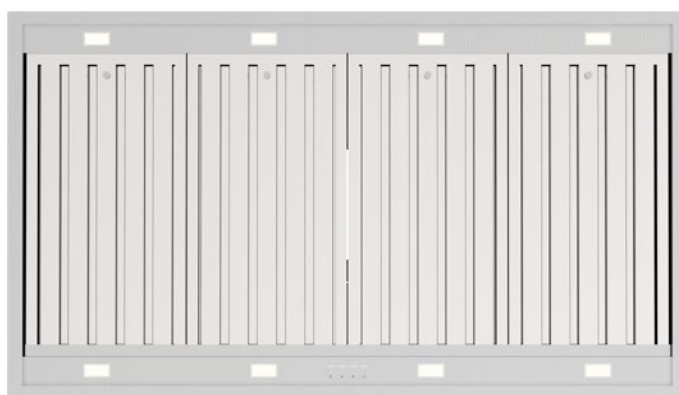
SELECT YOUR HOOD & MOTOR COMBINATION X9B12S5

Inline	Pro 1140	1140m³/hr	.2IP
External	Pro 1140	1140m³/hr	.2EP
External	Pro Plus 2010	2010m³/hr	.EPP / .2EPP

● Standard Inclusion ○ Optional - Not Available



Optional -- Proud Mount Cradle -- X1C.B12 (120cm)

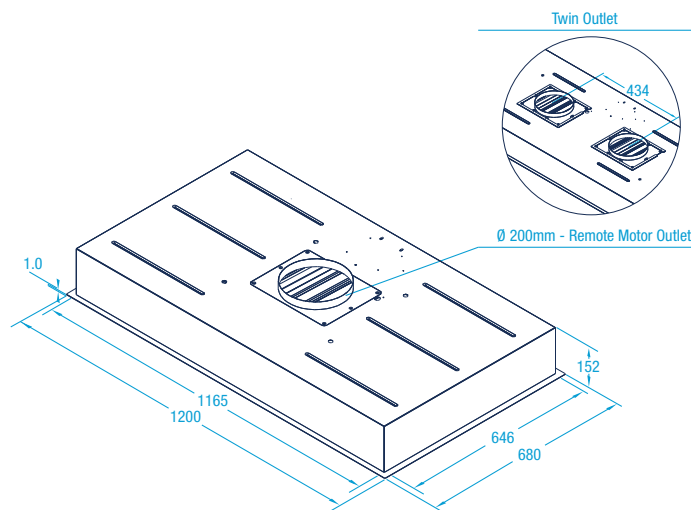


Filtration Zone.

Your Hood. Your Colour. Your Way. Select your hood finish.



Dimensioned Drawing



5 YEAR WARRANTY
COMPREHENSIVE PARTS & LABOUR



10 YEAR WARRANTY
REPLACEMENT REMOTE FAN MOTOR



LIFETIME
REPLACEMENT PARTS WARRANTY



PROUDLY AUSTRALIAN OWNED
DESIGNED & BUILT IN MELBOURNE



PREMIUM GERMAN MADE
MOTOR SYSTEMS

whispair