

ROME 90 ISLAND -- WHITE GLASS FASCIA, X7R09W.

Specifications

Model No.	X7R09W	
Hood Mounting	Island Mount Canopy	
Dimensions	Hood Width	900mm
	Hood Depth	600mm
	Hood Height (Fascia)	75mm

* Custom Flue Heights Available - Please see accessories

Cooking Surface Coverage (cm)	75-100cm
Min Install Height	600mm
Recommended Install Height	700-750mm

Induction Suitable	●
Char Grill Suitable	-

Finish	AISI304 1.2mm Food Grade	●
	AISI316 1.2mm Marine Grade	-

Filtration	Type: S-Flow Baffle	●
	Filter Quantity	3

Electronics	MasterMind	●
	Controls	4-Button Backlit LED MasterMind Touch Control
	Wireless Remote	○
	Speed Settings	3 Speed + Boost Mode
	Timer Function	Programmable Timer 10min Increments
Auto Fan Shut Off	Auto Off After 2-Hours Of Inactivity	

Lighting	Type: LED - Warm White	●
	Type: LED - Cool White	○
	Lamp Quantity	6
	Front Panel	●
Rear Panel	●	

Exhaust	Outlet Position - Top	●
	Outlet Position - Rear	-
	Outlet Quantity	1
	Ducting (Remote Motor)	Zilikon Duct - Dia. 200mm 5M Length Supplied
Ducting (Onboard Motor)	Power Motor - Dia. 150mm Ultra Motor - Dia.200mm Not Supplied - Duct Kits Available	

SELECT YOUR HOOD & MOTOR COMBINATION X7R09W5 / X7R09W6

On Board	Power 1020 - Top	1020m³/hr	--
	Ultra 1680 - Top	1680m³/hr	.OU/T
Inline	Lite 800	800m³/hr	--
	Pro 1140	1140m³/hr	.IP
External	Lite 800	800m³/hr	--
	Pro 1140	1140m³/hr	.EP
	Pro Plus 2010	2010m³/hr	.EPP

● Standard Inclusion ○ Optional - Not Available



5 YEAR WARRANTY
COMPRESSOR FREE PARTS & LABOUR



10 YEAR WARRANTY
REPLACEMENT PARTS ONLY MOTOR



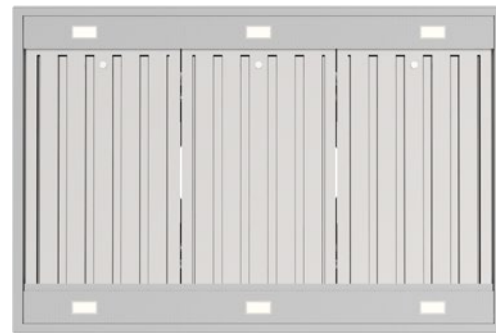
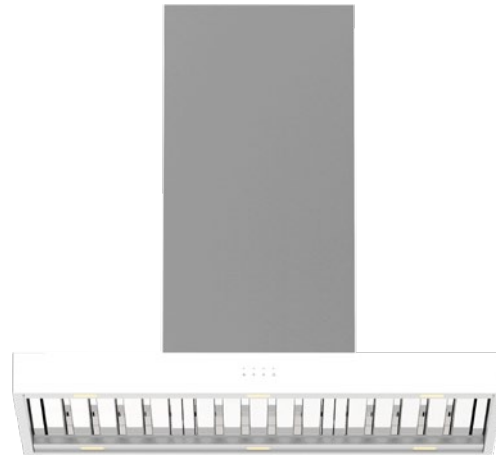
LIFETIME
REPLACEMENT PARTS WARRANTY



PROUDLY AUSTRALIAN OWNED
DESIGNED & BUILT IN MELBOURNE

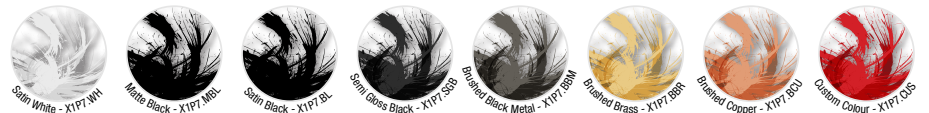


PREMIUM GERMAN MADE
MOTOR SYSTEMS

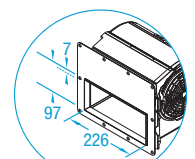
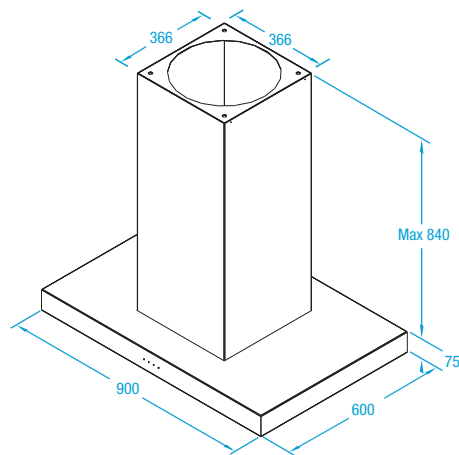


Filtration Zone.

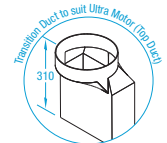
Your Hood. Your Colour. Your Way. Select your hood finish.



Dimensioned Drawing



Ultra Motor Outlet
226mm x 97mm



Transition Duct Accessory
(Supplied with .OU/T)
X1DK.TRANS

whispair