

HELSINKI 120 ISLAND, X7H12S,

Specifications

Model No.	X7H12S	
Hood Mounting	Island Mount Canopy	
Dimensions	Hood Width	1200mm
	Hood Depth	362mm
	Hood Height	800mm*

* Custom Height Available - X1FZ.010

Cooking Surface Coverage (cm)	100-120cm
Min Install Height	600mm
Recommended Install Height	700-750mm

Induction Suitable	●
Char Grill Suitable	-

Finish	AISI304 1.2mm Food Grade	●
	AISI316 1.2mm Marine Grade	-

Filtration	Type: S-Flow Baffle	●
	Filter Quantity	3

Electronics	MasterMind	●
	Controls	4-Button Backlit LED MasterMind Electronic Control
	Wireless Remote	○
	Speed Settings	3 Speed + Boost Mode
	Timer Function	Programmable Timer 10min Increments
	Auto Fan Shut Off	Auto Off After 2-Hours Of Inactivity

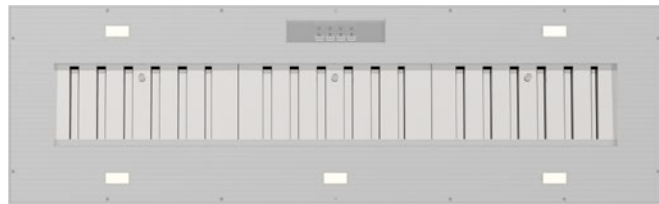
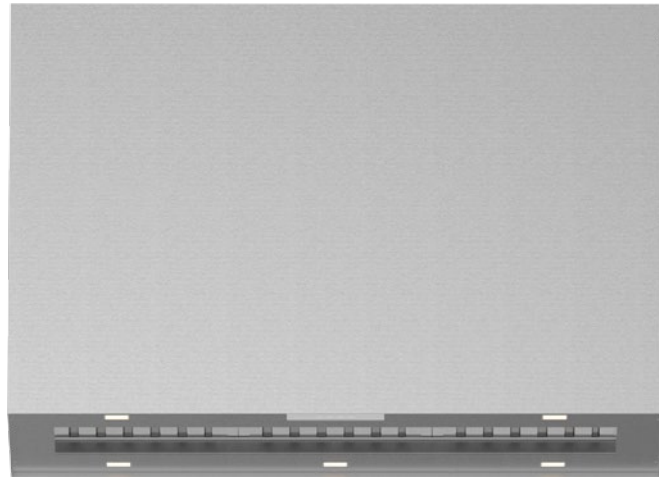
Lighting	Type: LED - Warm White	●
	Type: LED - Cool White	○
	Lamp Quantity	5
	Front Panel	●
	Rear Panel	●

Exhaust	Outlet Position - Top	●
	Outlet Position - Rear	-
	Outlet Quantity	1
	Ducting (Remote Motor)	Zilikon Duct - Dia. 200mm 5M Length Supplied
	Ducting (Onboard Motor)	Power Motor - Dia. 150mm Ultra Motor - Dia.200mm Not Supplied - Duct Kits Available

SELECT YOUR HOOD & MOTOR COMBINATION X7H12S5 / X7H12S6

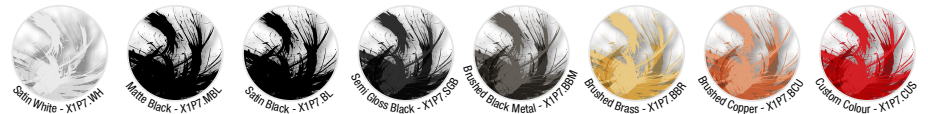
On Board	Power 1020 - Top	1020m³/hr	--
	Ultra 1680 - Top	1680m³/hr	.OU/T
Inline	Lite 800	800m³/hr	.IL
	Pro 1140	1140m³/hr	.IP
External	Lite 800	800m³/hr	.EL
	Pro 1140	1140m³/hr	.EP
	Pro Plus 2010	2010m³/hr	.EPP

● Standard Inclusion ○ Optional - Not Available

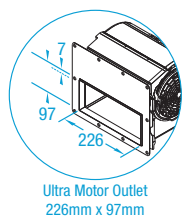
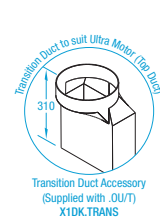
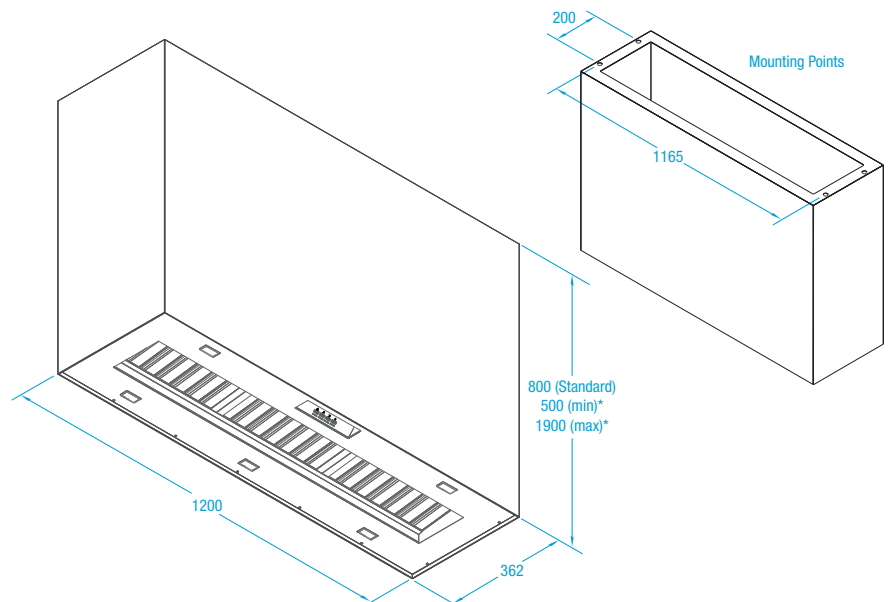


Filtration Zone.

Your Hood. Your Colour. Your Way. Select your hood finish.



Dimensioned Drawing



5 YEAR WARRANTY
COMPRESSOR PARTS & LABOUR



10 YEAR WARRANTY
REPLACEMENT PARTS AND LABOUR



LIFETIME
REPLACEMENT PARTS WARRANTY



whispair