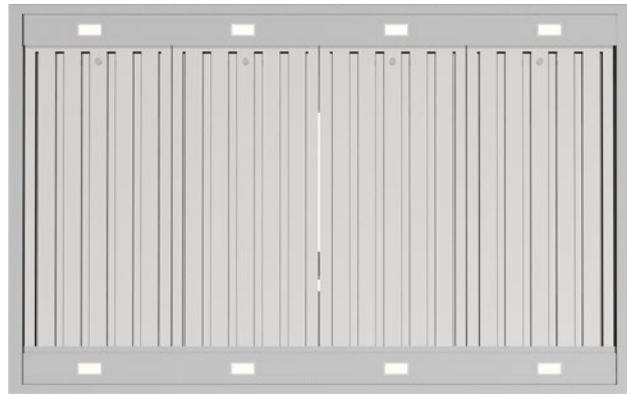
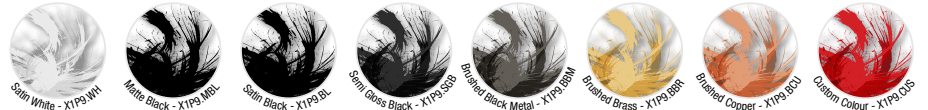


Specifications	
<b>Model No.</b>	X7C12S
<b>Hood Mounting</b>	Island Mounted Canopy
<b>Dimensions</b>	<b>Hood Width</b> 1200mm
	<b>Hood Depth</b> 750mm
	<b>Hood Height (Fascia)</b> 400mm
<b>Cooking Surface Coverage (cm)</b>	90-120cm
<b>Min Install Height</b>	1200mm
<b>Recommended Install Height</b>	1200mm
<b>Induction Suitable</b>	●
<b>Char Grill Suitable</b>	●
<b>Finish</b>	<b>AISI316 1.2mm Marine Grade</b> ●
	<b>Wall or Island Mounted Chimney</b> Island
<b>Filtration</b>	<b>Type: S-Flow Baffle</b> ●
	<b>Filter Quantity</b> 4
<b>Electronics</b>	<b>MasterMind</b> ●
	<b>Controls</b> 4-Button Backlit LED MasterMind Electronic Control
	<b>Wireless Remote</b> ●
	<b>Speed Settings</b> 3 Speed + Boost Mode
	<b>Timer Function</b> Programmable Timer 10min Increments
<b>Auto Fan Shut Off</b> Auto Off After 2-Hours Of Inactivity	
<b>Lighting</b>	<b>Type: LED - Warm White</b> ●
	<b>Type: LED - Cool White</b> ○
	<b>Lamp Quantity</b> 8
	<b>Front Panel</b> ●
<b>Rear Panel</b> ●	
<b>Exhaust</b>	<b>Outlet Position - Top</b> ●
	<b>Outlet Position - Rear</b> ○*
	<b>Outlet Quantity</b> 1
<b>Ducting (Remote Motor)</b>	Ziliikon Duct - Dia. 200mm 5M Length Supplied

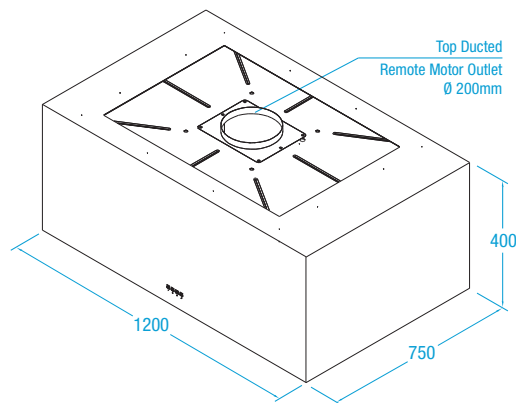


Filtration Zone.

**Your Hood. Your Colour. Your Way.** Select your hood finish.



### Dimensioned Drawing



SELECT YOUR HOOD & MOTOR COMBINATION		X7C12S5	
<b>Inline</b>	<b>Pro 1140</b>	1140m³/hr	--
<b>External</b>	<b>Pro 1140</b>	1140m³/hr	--
<b>External</b>	<b>Pro Plus 2010</b>	2010m³/hr	.EPP

● Standard Inclusion ○ Optional - Not Available



**5 YEAR WARRANTY**  
COMMERCIAL HOODS & GRILLS



**10 YEAR WARRANTY**  
HOUSEHOLD HOODS & GRILLS



**LIFETIME**  
REPLACEMENT PARTS WARRANTY



PROUDLY AUSTRALIAN OWNED  
DESIGNED & BUILT IN MELBOURNE



PREMIUM GERMAN MADE  
MOTOR SYSTEMS