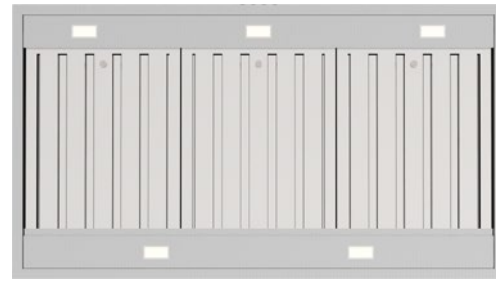
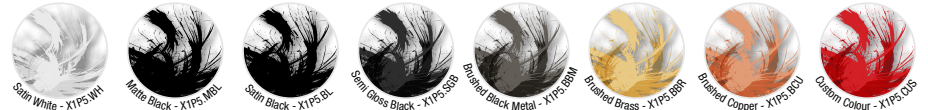


Specifications	
Model No.	X5S09S
Hood Mounting	Wall Mounted Canopy
Dimensions	Hood Width 900mm
	Hood Depth 500mm
	Hood Height (Fascia) 75mm*
Cooking Surface Coverage (cm)	75-100cm
Min Install Height	600mm
Recommended Install Height	700-750mm
Induction Suitable	●
Char Grill Suitable	-
Finish	AISI304 1.2mm Food Grade ●
	AISI316 1.2mm Marine Grade -
Filtration	Type: S-Flow Baffle ●
	Filter Quantity 3
Electronics	MasterMind ●
	Controls 4-Button Backlit LED MasterMind Electronic Control
	Wireless Remote ○
	Speed Settings 3 Speed + Boost Mode
	Timer Function Programmable Timer 10min Increments
Auto Fan Shut Off Auto Off After 2-Hours Of Inactivity	
Lighting	Type: LED - Warm White ●
	Type: LED - Cool White ○
	Lamp Quantity 5
	Front Panel ●
Rear Panel ●	
Exhaust	Outlet Position - Top ●
	Outlet Position - Rear ○
	Outlet Quantity 1
	Ducting (Remote Motor) Ziliikon Duct - Dia. 200mm 5M Length Supplied
Ducting (Onboard Motor) Power Motor - Dia. 150mm Ultra Motor - Dia.200mm Not Supplied - Duct Kits Available	

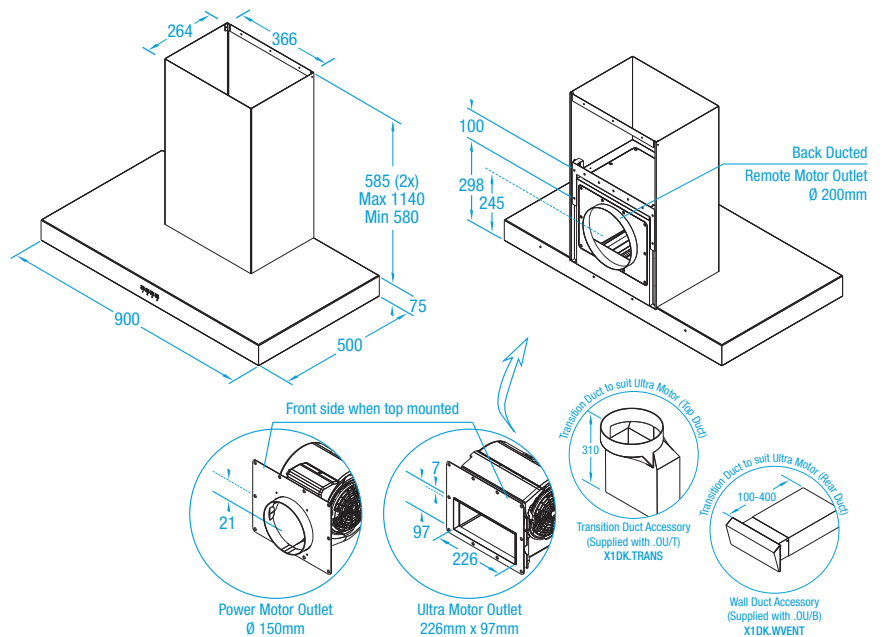


Filtration Zone.

Your Hood. Your Colour. Your Way. Select your hood finish.



Dimensioned Drawing



SELECT YOUR HOOD & MOTOR COMBINATION		X5S09S5 / X5S09S6	
On Board	Power 1020 - Top	1020m ³ /hr	.OP/T
	Power 1020 - Rear	1020m ³ /hr	.OP/B
	Ultra 1680 - Top	1680m ³ /hr	.OU/T
	Ultra 1680 - Rear	1680m ³ /hr	.OU/B
Inline	Lite 800	800m ³ /hr	.IL
	Pro 1140	1140m ³ /hr	.IP
External	Lite 800	800m ³ /hr	.EL
	Pro 1140	1140m ³ /hr	.EP
	Pro Plus 2010	2010m ³ /hr	.EPP

● Standard Inclusion ○ Optional - Not Available



5 YEAR WARRANTY



10 YEAR WARRANTY



LIFETIME REPLACEMENT PARTS WARRANTY



PROUDLY AUSTRALIAN OWNED
DESIGNED & BUILT IN MELBOURNE



PREMIUM GERMAN MADE
MOTOR SYSTEMS