

# ROME 90 - WHITE GLASS FASCIA, X5R09W.

Specifications	
<b>Model No.</b>	X5R09W
<b>Hood Mounting</b>	Wall Mounted Canopy
<b>Dimensions</b>	<b>Hood Width</b> 900mm
	<b>Hood Depth</b> 500mm
	<b>Hood Height (Fascia)</b> 75mm
<b>Cooking Surface Coverage (cm)</b>	75-100cm
<b>Min Install Height</b>	600mm
<b>Recommended Install Height</b>	700-750mm
<b>Induction Suitable</b>	●
<b>Char Grill Suitable</b>	-
<b>Finish</b>	<b>AISI304 1.2mm Food Grade</b> ●
	<b>AISI316 1.2mm Marine Grade</b> -
<b>Filtration</b>	<b>Type: S-Flow Baffle</b> ●
	<b>Filter Quantity</b> 3
<b>Electronics</b>	<b>MasterMind</b> ●
	<b>Controls</b> 4-Button Backlit LED MasterMind Touch Control
	<b>Wireless Remote</b> ○
	<b>Speed Settings</b> 3 Speed + Boost Mode
	<b>Timer Function</b> Programmable Timer 10min Increments
<b>Auto Fan Shut Off</b> Auto Off After 2-Hours Of Inactivity	
<b>Lighting</b>	<b>Type: LED - Warm White</b> ●
	<b>Type: LED - Cool White</b> ○
	<b>Lamp Quantity</b> 5
	<b>Front Panel</b> ●
<b>Rear Panel</b> ●	
<b>Exhaust</b>	<b>Outlet Position - Top</b> ●
	<b>Outlet Position - Rear</b> ○
	<b>Outlet Quantity</b> 1
	<b>Ducting (Remote Motor)</b> Zilikon Duct - Dia. 200mm 5M Length Supplied
<b>Ducting (Onboard Motor)</b> Power Motor - Dia. 150mm Ultra Motor - Dia.200mm Not Supplied - Duct Kits Available	

SELECT YOUR HOOD & MOTOR COMBINATION		X5R09W5 / X5R09W6	
<b>On Board</b>	<b>Power 1020 - Top</b>	1020m <sup>3</sup> /hr	.OP/T
	<b>Power 1020 - Rear</b>	1020m <sup>3</sup> /hr	.OP/B
	<b>Ultra 1680 - Top</b>	1680m <sup>3</sup> /hr	.OU/T
	<b>Ultra 1680 - Rear</b>	1680m <sup>3</sup> /hr	.OU/B
<b>Inline</b>	<b>Lite 800</b>	800m <sup>3</sup> /hr	.IL
	<b>Pro 1140</b>	1140m <sup>3</sup> /hr	.IP
<b>External</b>	<b>Lite 800</b>	800m <sup>3</sup> /hr	.EL
	<b>Pro 1140</b>	1140m <sup>3</sup> /hr	.EP
	<b>Pro Plus 2010</b>	2010m <sup>3</sup> /hr	.EPP

● Standard Inclusion ○ Optional - Not Available



5 YEAR WARRANTY  
COVERS HOOD & MOTOR



10 YEAR WARRANTY  
REPLACEMENT PARTS ONLY



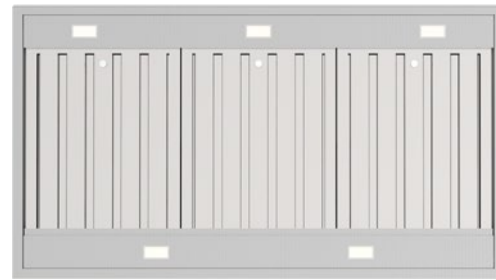
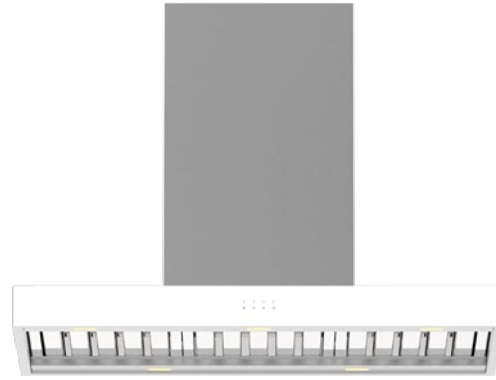
LIFETIME  
REPLACEMENT PARTS WARRANTY



PROUDLY AUSTRALIAN OWNED  
DESIGNED & BUILT IN MELBOURNE

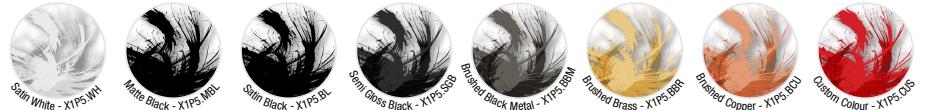


PREMIUM GERMAN MADE  
MOTOR SYSTEMS

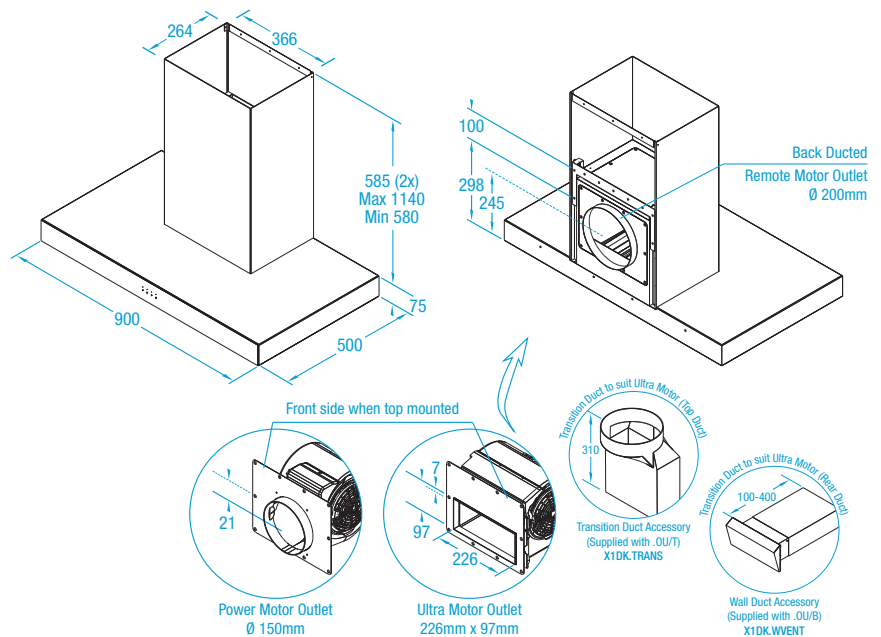


Filtration Zone.

**Your Hood. Your Colour. Your Way.** Select your hood finish.



## Dimensioned Drawing



# whispair