

MONTREAL 100, X5M10S.

Specifications

Model No.	X5M10S	
Hood Mounting	Wall Mounted Canopy	
Dimensions	Hood Width	1000mm
	Hood Depth	750mm
	Hood Height (Fascia)	120/350mm
Cooking Surface Coverage (cm)	80-100cm	
Min Install Height	1200mm	
Recommended Install Height	1200mm	
Induction Suitable	●	
Char Grill Suitable	●	

Finish	AISI316 1.2mm Marine Grade	●
	Wall or Island Mounted Chimney	Wall

Filtration	Type: S-Flow Baffle	●
	Filter Quantity	3

Electronics	MasterMind	●
	Controls	4-Button Backlit LED MasterMind Electronic Control
	Wireless Remote	●
	Speed Settings	3 Speed + Boost Mode
	Timer Function	Programmable Timer 10min Increments
	Auto Fan Shut Off	Auto Off After 2-Hours Of Inactivity

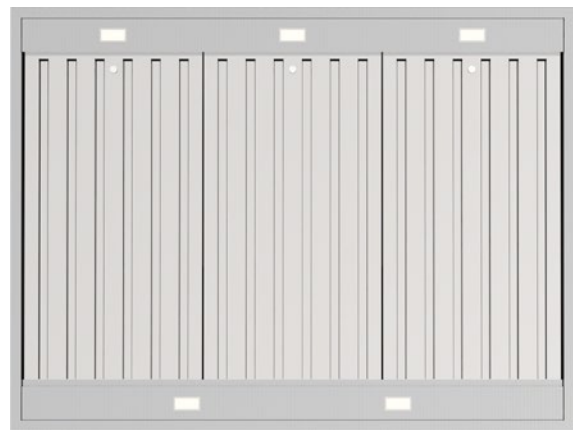
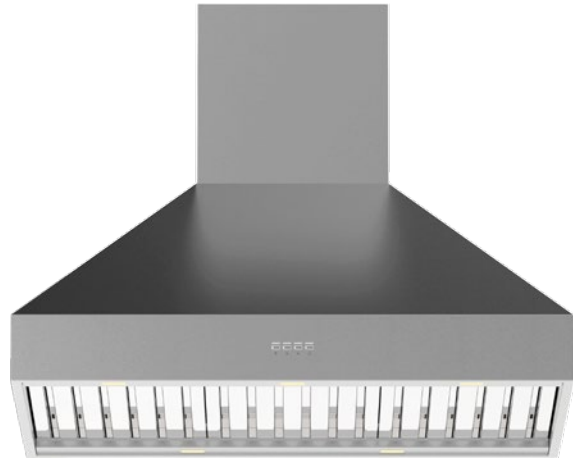
Lighting	Type: LED - Warm White	●
	Type: LED - Cool White	○
	Lamp Quantity	5
	Front Panel	●
	Rear Panel	●

Exhaust	Outlet Position - Top	●
	Outlet Position - Rear	○
	Outlet Quantity	1
	Ducting (Remote Motor)	Ziliikon Duct - Dia. 200mm 5M Length Supplied

SELECT YOUR HOOD & MOTOR COMBINATION X5M10S5

Inline	Pro 1140	1140m³/hr	--
External	Pro 1140	1140m³/hr	--
External	Pro Plus 2010	2010m³/hr	.EPP

● Standard Inclusion ○ Optional - Not Available

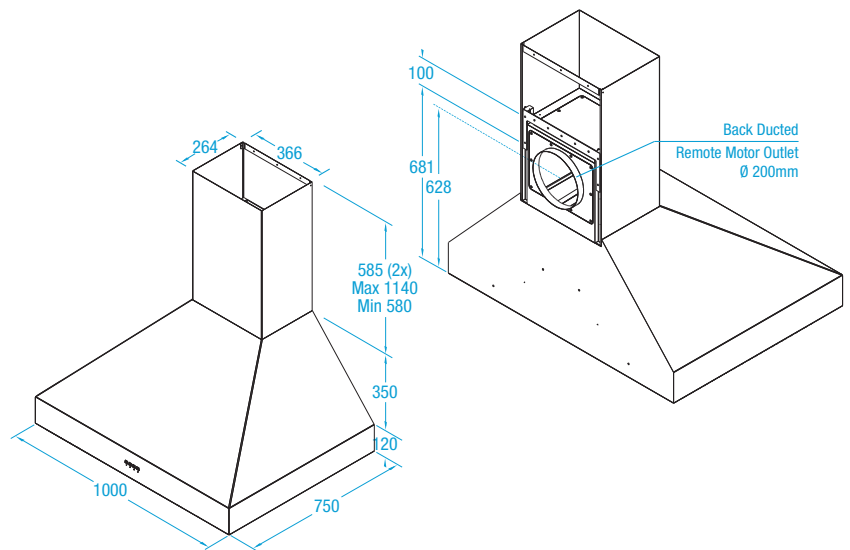


Filtration Zone.

Your Hood. Your Colour. Your Way. Select your hood finish.



Dimensioned Drawing



5 YEAR WARRANTY



10 YEAR WARRANTY



LIFETIME REPLACEMENT PARTS WARRANTY



PROUDLY AUSTRALIAN OWNED
DESIGNED & BUILT IN MELBOURNE



PREMIUM GERMAN MADE
MOTOR SYSTEMS

whispair