

## Specifications

<b>Model No.</b>	X3W20S	
<b>Hood Mounting</b>	Undermount	
<b>Dimensions</b>	<b>Hood Width</b>	1960mm
	<b>Hood Depth</b>	480mm
	<b>Hood Height</b>	330mm
<b>Cooking Surface Coverage (cm)</b>	150-200cm	
<b>Min Install Height</b>	1200mm	
<b>Recommended Install Height</b>	1200mm	

<b>Induction Suitable</b>	●
<b>Char Grill Suitable</b>	●

<b>Finish</b>	<b>AISI304 1.2mm Food Grade</b>	-
	<b>AISI316 1.2mm Marine Grade</b>	●

<b>Filtration</b>	<b>Type: S-Flow Baffle</b>	●
	<b>Filter Quantity</b>	5

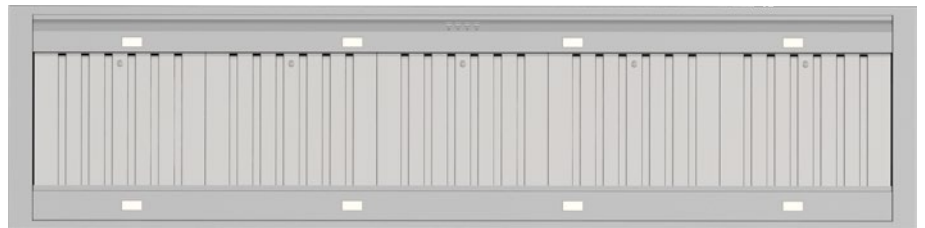
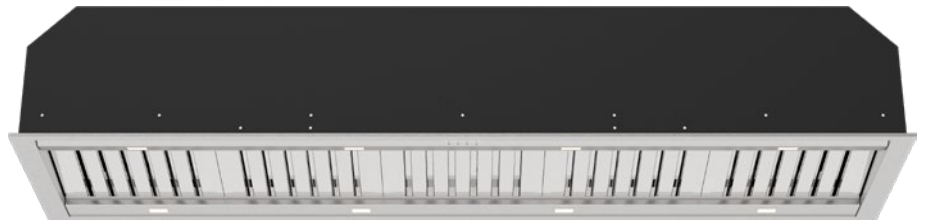
<b>Electronics</b>	<b>MasterMind</b>	●
	<b>Controls</b>	4-Button Backlit LED MasterMind Electronic Control
	<b>Wireless Remote</b>	●
	<b>Speed Settings</b>	3 Speed + Boost Mode
	<b>Timer Function</b>	Programmable Timer 10min Increments
	<b>Auto Fan Shut Off</b>	Auto Off After 2-Hours Of Inactivity

<b>Lighting</b>	<b>Type: LED - Warm White</b>	●
	<b>Type: LED - Cool White</b>	○
	<b>Lamp Quantity</b>	8
	<b>Front Panel</b>	●
	<b>Rear Panel</b>	●

<b>Exhaust</b>	<b>Outlet Position - Top</b>	●
	<b>Outlet Position - Rear</b>	○
	<b>Outlet Quantity</b>	2
	<b>Ducting (Remote Motor)</b>	Ziikon Duct - Dia. 200mm 5M Length Supplied

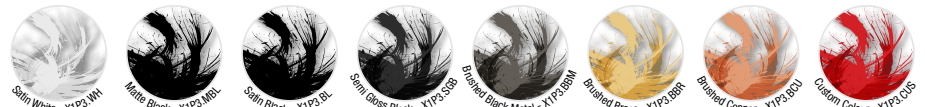
SELECT YOUR HOOD & MOTOR COMBINATION		X3W20S5	
<b>Inline</b>	<b>Pro 1140</b>	1140m³/hr	.2IP
<b>External</b>	<b>Pro 1140</b>	1140m³/hr	.2EP
<b>External</b>	<b>Pro Plus 2010</b>	2010m³/hr	.2EPP

● Standard Inclusion ○ Optional - Not Available

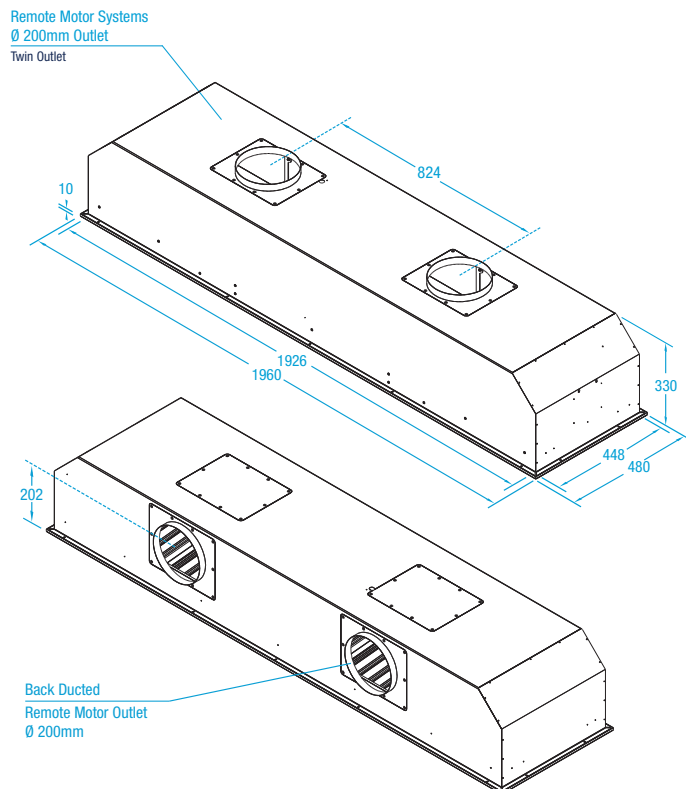


Filtration Zone.

**Your Hood. Your Colour. Your Way.** Select your hood finish.



## Dimensioned Drawing



5 YEAR WARRANTY



10 YEAR WARRANTY



LIFETIME REPLACEMENT PARTS WARRANTY



PROUDLY AUSTRALIAN OWNED  
DESIGNED & BUILT IN MELBOURNE



PREMIUM GERMAN MADE  
MOTOR SYSTEMS