

Specifications

Model No.	X3W16S
Hood Mounting	Undermount
Dimensions	Hood Width 1560mm
	Hood Depth 480mm
	Hood Height 330mm
Cooking Surface Coverage (cm)	120-160cm
Min Install Height	1200mm
Recommended Install Height	1200mm

Induction Suitable	●
Char Grill Suitable	●

Finish	AISI304 1.2mm Food Grade	-
	AISI316 1.2mm Marine Grade	●

Filtration	Type: S-Flow Baffle	●
	Filter Quantity	4

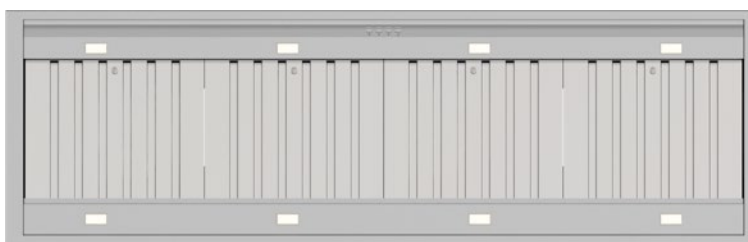
Electronics	MasterMind	●
	Controls	4-Button Backlit LED MasterMind Electronic Control
	Wireless Remote	●
	Speed Settings	3 Speed + Boost Mode
	Timer Function	Programmable Timer 10min Increments
	Auto Fan Shut Off	Auto Off After 2-Hours Of Inactivity

Lighting	Type: LED - Warm White	●
	Type: LED - Cool White	○
	Lamp Quantity	8
	Front Panel	●
	Rear Panel	●

Exhaust	Outlet Position - Top	●
	Outlet Position - Rear	○
	Outlet Quantity	2
	Ducting (Remote Motor)	Ziikon Duct - Dia. 200mm 5M Length Supplied

SELECT YOUR HOOD & MOTOR COMBINATION		X3W16S5	
Inline	Pro 1140	1140m³/hr	.2IP
External	Pro 1140	1140m³/hr	.2EP
External	Pro Plus 2010	2010m³/hr	.2EPP

● Standard Inclusion ○ Optional - Not Available

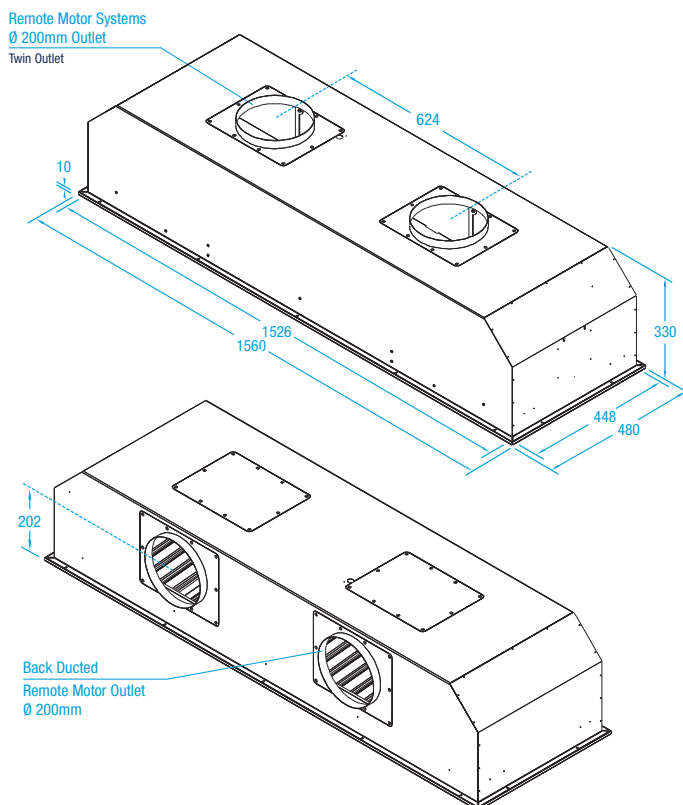


Filtration Zone.

Your Hood. Your Colour. Your Way. Select your hood finish.



Dimensioned Drawing



5 YEAR WARRANTY
COMMERCIAL USE ONLY



10 YEAR WARRANTY
REPLACEMENT PARTS WARRANTY



LIFETIME
REPLACEMENT PARTS WARRANTY



PROUDLY AUSTRALIAN OWNED
DESIGNED & BUILT IN MELBOURNE



PREMIUM GERMAN MADE
MOTOR SYSTEMS

whispair