

# MONTE CARLO 200 MEGA DEEP, X3MM20S.

## Specifications

<b>Model No.</b>	X3MM20S
<b>Hood Mounting</b>	Undermount
<b>Dimensions</b>	<b>Hood Width</b> 1960mm
	<b>Hood Depth</b> 480mm
	<b>Hood Height</b> 330mm
<b>Cooking Surface Coverage (cm)</b>	150-200cm
<b>Min Install Height</b>	600mm
<b>Recommended Install Height</b>	700-750mm

<b>Induction Suitable</b>	●
<b>Char Grill Suitable</b>	-

<b>Finish</b>	<b>AISI304 1.2mm Food Grade</b>	-
	<b>AISI316 1.2mm Marine Grade</b>	●

<b>Filtration</b>	<b>Type: S-Flow Baffle</b>	●
	<b>Filter Quantity</b>	5

<b>Electronics</b>	<b>MasterMind</b>	●
	<b>Controls</b>	4-Button Backlit LED MasterMind Electronic Control
	<b>Wireless Remote</b>	○
	<b>Speed Settings</b>	3 Speed + Boost Mode
	<b>Timer Function</b>	Programmable Timer 10min Increments
	<b>Auto Fan Shut Off</b>	Auto Off After 2-Hours Of Inactivity

<b>Lighting</b>	<b>Type: LED - Warm White</b>	●
	<b>Type: LED - Cool White</b>	○
	<b>Lamp Quantity</b>	8
	<b>Front Panel</b>	●
	<b>Rear Panel</b>	●

<b>Exhaust</b>	<b>Outlet Position - Top</b>	●
	<b>Outlet Position - Rear</b>	○
	<b>Outlet Quantity</b>	2
	<b>Ducting (Remote Motor)</b>	Zilikon Duct - Dia. 200mm 5M Length Supplied
	<b>Ducting (Onboard Motor)</b>	Ultra Motor - Dia.200mm Not Supplied - Duct Kits Available

SELECT YOUR HOOD & MOTOR COMBINATION X3MM20S5 / X3MM20S6

On Board	Power	Flow	Accessories
On Board	Power 1020 - Top	1020m³/hr	--
	Power 1020 - Rear	1020m³/hr	--
On Board	Ultra 1680 - Top	1680m³/hr	.20U/T
	Ultra 1680 - Rear	1680m³/hr	.20U/B
Inline	Lite 800	800m³/hr	--
	Pro 1140	1140m³/hr	.2IP
External	Lite 800	800m³/hr	--
	Pro 1140	1140m³/hr	.2EP
	Pro Plus 2010	2010m³/hr	.2EPP

● Standard Inclusion ○ Optional - Not Available



5 YEAR WARRANTY  
COMMERCIAL USE & ABOVE



10 YEAR WARRANTY  
RESIDENTIAL & COMMERCIAL USE



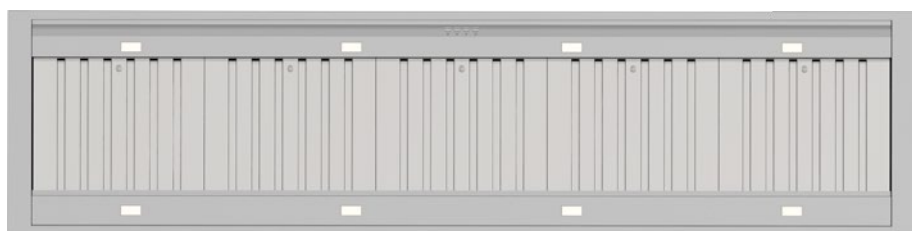
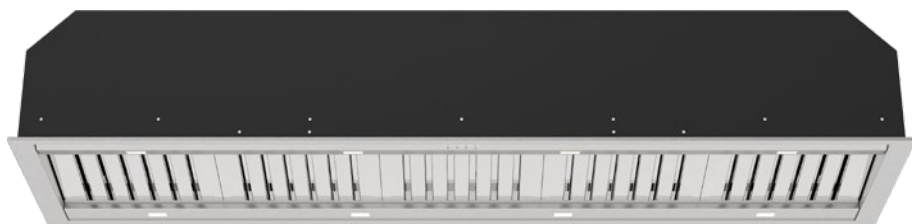
LIFETIME  
REPLACEMENT PARTS WARRANTY



PROUDLY AUSTRALIAN OWNED  
DESIGNED & BUILT IN MELBOURNE



PREMIUM GERMAN MADE  
MOTOR SYSTEMS

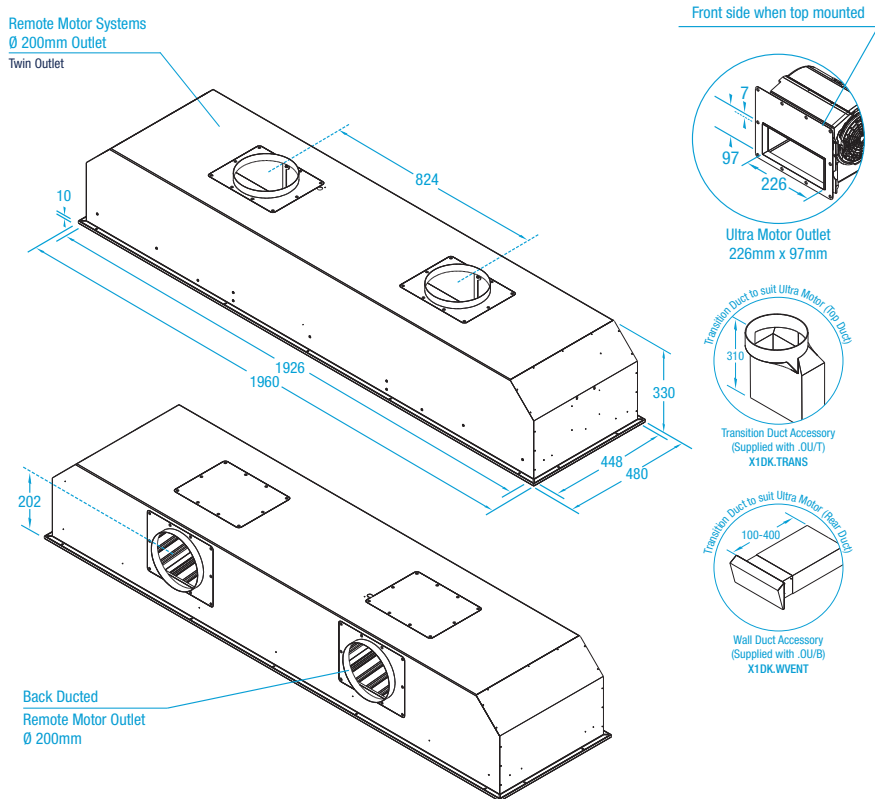


Filtration Zone.

Your Hood. Your Colour. Your Way. Select your hood finish.



## Dimensioned Drawing



# whispair