

MONTE CARLO 90 SUPER DEEP, X3MD09S,

Specifications

Model No.	X3MD09S
Hood Mounting	Undermount
Dimensions	Hood Width 860mm
	Hood Depth 380mm
	Hood Height 330mm
Cooking Surface Coverage (cm)	75-100cm
Min Install Height	600mm
Recommended Install Height	700-750mm
Induction Suitable	●
Char Grill Suitable	-

Finish	AISI304 1.2mm Food Grade	●
	AISI316 1.2mm Marine Grade	-

Filtration	Type: S-Flow Baffle	●
	Filter Quantity	2

Electronics	MasterMind	●
	Controls	4-Button Backlit LED MasterMind Electronic Control
	Wireless Remote	○
	Speed Settings	3 Speed + Boost Mode
	Timer Function	Programmable Timer 10min Increments
	Auto Fan Shut Off	Auto Off After 2-Hours Of Inactivity

Lighting	Type: LED - Warm White	●
	Type: LED - Cool White	○
	Lamp Quantity	4
	Front Panel	●
	Rear Panel	●

Exhaust	Outlet Position - Top	●
	Outlet Position - Rear	○
	Outlet Quantity	1
	Ducting (Remote Motor)	Ziliikon Duct - Dia. 200mm 5M Length Supplied
	Ducting (Onboard Motor)	Power Motor - Dia. 150mm Ultra Motor - Dia.200mm Not Supplied - Duct Kits Available

SELECT YOUR HOOD & MOTOR COMBINATION X3MD09S5 / X3MD09S6

On Board	Power 1020 - Top	1020m³/hr	.OP/T
	Power 1020 - Rear	1020m³/hr	.OP/B
	Ultra 1680 - Top	1680m³/hr	.OU/T
	Ultra 1680 - Rear	1680m³/hr	.OU/B
Inline	Lite 800	800m³/hr	.IL
	Pro 1140	1140m³/hr	.IP
External	Lite 800	800m³/hr	.EL
	Pro 1140	1140m³/hr	.EP
	Pro Plus 2010	2010m³/hr	.EPP

● Standard Inclusion ○ Optional - Not Available



5 YEAR WARRANTY
COMMERCIAL USE & LABOR



10 YEAR WARRANTY
REPLACEMENT PARTS WARRANTY



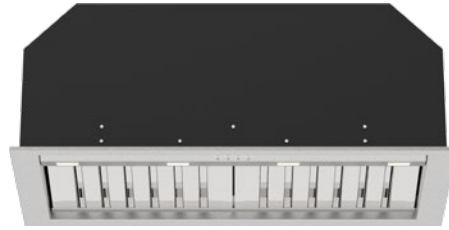
LIFETIME
REPLACEMENT PARTS WARRANTY



PROUDLY AUSTRALIAN OWNED
DESIGNED & BUILT IN MELBOURNE

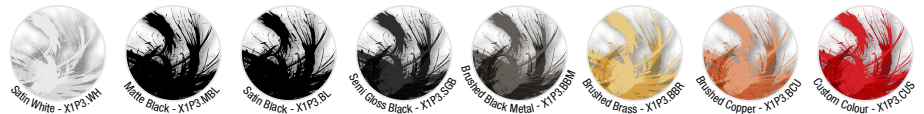


PREMIUM GERMAN MADE
MOTOR SYSTEMS

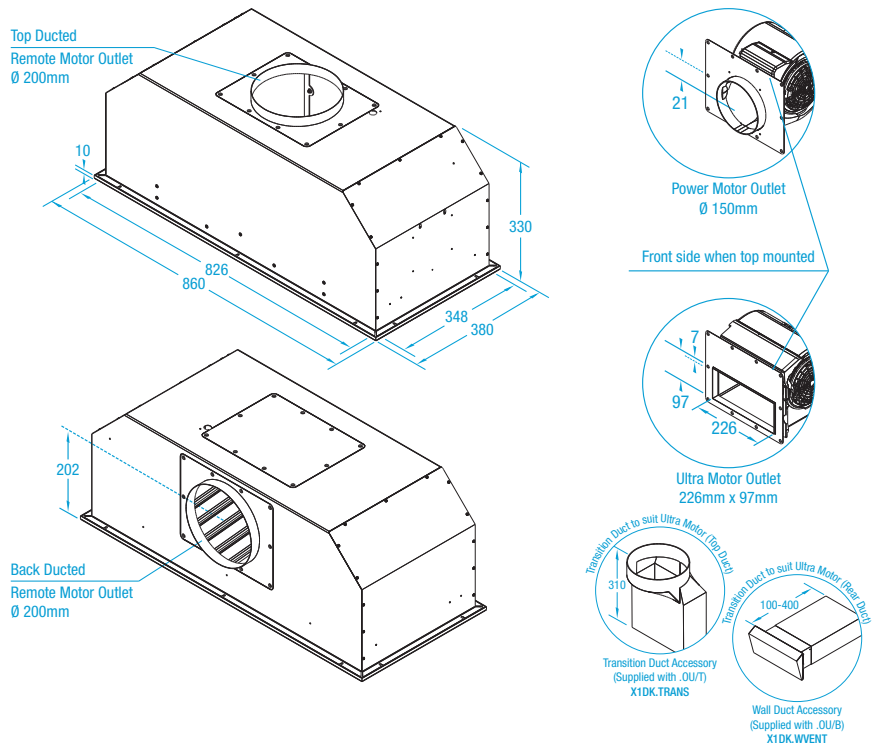


Filtration Zone.

Your Hood. Your Colour. Your Way. Select your hood finish.



Dimensioned Drawing



whispair