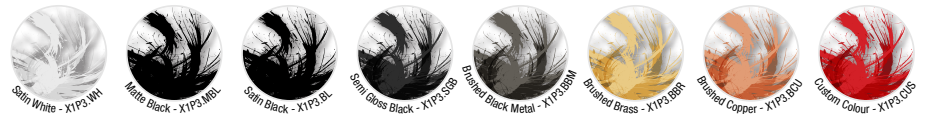


Specifications	
Model No.	X3M08S
Hood Mounting	Undermount
Dimensions	Hood Width 760mm
	Hood Depth 280mm
	Hood Height 330mm
Cooking Surface Coverage (cm)	70-90cm
Min Install Height	600mm
Recommended Install Height	700-750mm
Induction Suitable	●
Char Grill Suitable	-
Finish	AISI304 1.2mm Food Grade ●
	AISI316 1.2mm Marine Grade -
Filtration	Type: S-Flow Baffle ●
	Filter Quantity 2
Electronics	MasterMind ●
	Controls 4-Button Backlit LED MasterMind Electronic Control
	Wireless Remote ○
	Speed Settings 3 Speed + Boost Mode
	Timer Function Programmable Timer 10min Increments
Auto Fan Shut Off Auto Off After 2-Hours Of Inactivity	
Lighting	Type: LED - Warm White ●
	Type: LED - Cool White ○
	Lamp Quantity 4
	Front Panel ●
	Rear Panel -

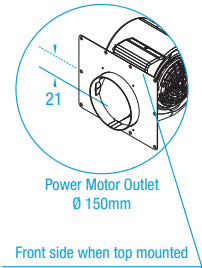
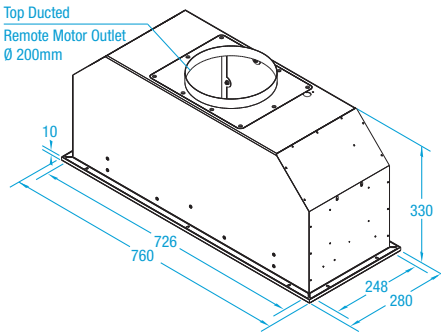


Filtration Zone.

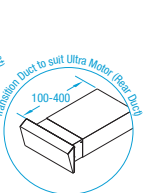
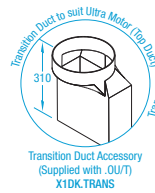
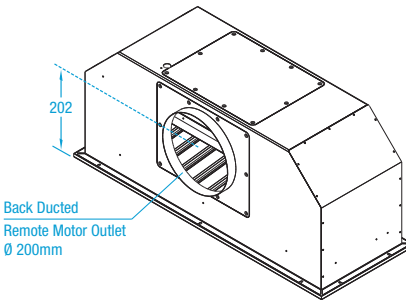
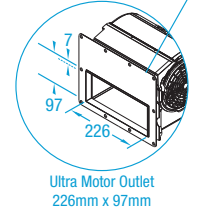
Your Hood. Your Colour. Your Way. Select your hood finish.



Dimensioned Drawing



Front side when top mounted



SELECT YOUR HOOD & MOTOR COMBINATION		X3M08S5 / X3M08S6	
On Board	Power 1020 - Top	1020m³/hr	.OP/T
	Power 1020 - Rear	1020m³/hr	.OP/B
	Ultra 1680 - Top	1680m³/hr	.OU/T
	Ultra 1680 - Rear	1680m³/hr	.OU/B
Inline	Lite 800	800m³/hr	.IL
	Pro 1140	1140m³/hr	.IP
External	Lite 800	800m³/hr	.EL
	Pro 1140	1140m³/hr	.EP
	Pro Plus 2010	2010m³/hr	.EPP

● Standard Inclusion ○ Optional - Not Available



5 YEAR WARRANTY



10 YEAR WARRANTY



LIFETIME REPLACEMENT PARTS WARRANTY



PROUDLY AUSTRALIAN OWNED
DESIGNED & BUILT IN MELBOURNE



PREMIUM GERMAN MADE
MOTOR SYSTEMS